

General Information

Annual Plenary Meeting 2017

Hans-Joachim Bungartz
Benjamin Uekermann
Philipp Neumann
Technische Universität München

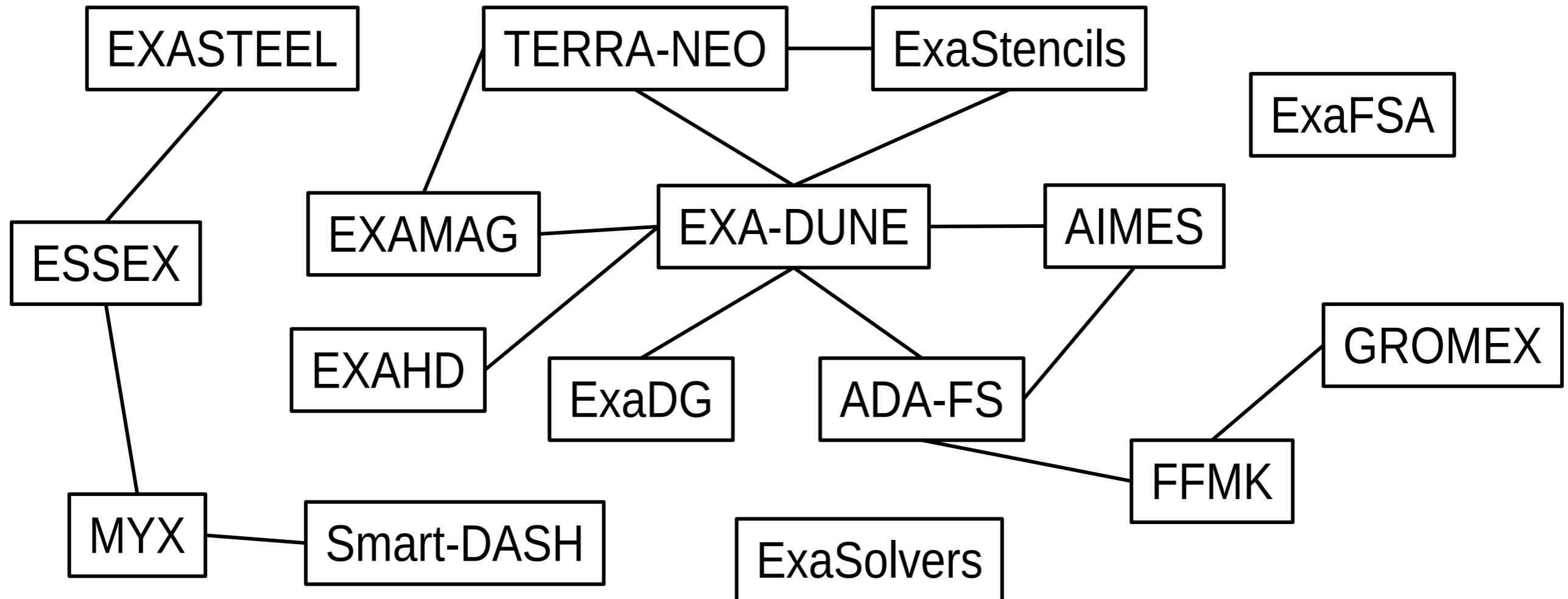
Wolfgang E. Nagel
Technische Universität Dresden

Garching, March 20, 2017

Agenda

- 1 Activity Reports
- 2 Finances
- 3 Workshops
- 4 Gender Incentives
- 5 PR / Outreach
- 6 Doctoral Retreat
- 7 Best Thesis Awards

Activity Reports: Collaborations in SPPEXA



Activity Reports: Activity per Project

	Avg 2016	Avg 2015
Guest	1.69	2.27
Workshops / Symposia	2.53	2.91
Diversity	0.85	0.36
Student Projects	4.00	3.36
Educational Activities	5.46	4.00
Publications	9.54	8.72
Talks / Posters	17.92	15.36

Finance Details 1: Budget Overview

Fund	Phase 2	March 2017
Gender Central / Childcare	24k	15.5k
Gender Projects	10k	10k
Annual Plenary Meeting	93k	91.5k
Doctoral Retreat	58.8k	58.8k
Research Stay	112.5k	112.5k
Teaching	6k	6k
Guests	120k	90.2k
PR	16.5k	16.1k
Workshops	223.2k	197.2k

Finance Details 2: Guest Funding

- 2343.75 € p.a. per project (excl. 20% “Projektpauschale”)
- 2016: 2500 € per project
- 2017: 2100 € per project
- 2018: adaptive funding on request

Finance Details 3: Research Stays & International Collaborations

- 37500 € p.a.
- New in Phase 2
- Basically FCFS, but priority for D-J-F collaborations
- Prerequisite: no other funding support available
- Prerequisite: real research stay (> 1 month)
- Informal request via mail to Benjamin Uekermann
- Goals:
 - Foster international collaboration, in particular with F/J
 - Provide support for young researchers to go abroad
 - Invitation of young researchers from international partner institutions to doctoral retreat

Finance Details 4: Development of New Teaching Activities

- 2000 € p.a.
- New in Phase 2
- Innovatives approaches / development of new material for teaching
- FCFS
- Share teachlets
- Informal request via mail to Benjamin Uekermann

Workshops 1: Finances

- 37200 € per call (excl. “Programmpauschale”, 2 calls per year)
- Two times more than in Phase 1
- Competitive (SC decides per call)
- Max. 10000 € per workshop
- No restriction of format, but direct relation to SPPEXA's agenda
- Inter-project workshops very welcome

Workshops 2: Announcement of Call 17/1

- Templates for proposals: www.sppexa.de → internal → templates
- Deadline: May 15, 2017
- Submission via mail to Benjamin Uekermann

Workshops 3: Past Activities 2016/17

Title	Project	Date
HiStencils	ExaStencils	01/2016
Hybrid Simulation Methods in Fluid Dynamics	Central Activity	06/2016
Application Interfaces for an Exascale OS	FFMK	09/2016
DLMCA First International Workshop on Data Locality in Modern Computing Systems	DASH	12/2016
Fast High Order DG Methods for Future Architectures	EXA-DG, EXA-DUNE, EXAMAG	02/2017

Workshops 4: Upcoming Activities

Title	Project	Date
Understanding I/O Performance Behavior (UIOP)	AIMES	03/2017
Parallel Programming Models – Productivity and Applications	MYX, ESSEX, DASH	04/2017
PARNUM 2017	TERRA-NEO	04/2017
Exascale Data Generation and Analysis for MD Simulation	GROMEX	05/2017
Exa-scale Solver for Application-Driven Science (@PASC)	TERRA-NEO, EXA-DUNE	06/2017
Exascale I/O for Unstructured Grids	AIMES, EXA-DUNE, ADA-FS	09/2017

Gender Incentives 1: Finances

- 10000 € total for Phase 2 (excl. “Programmpauschale”)
- 2 calls per year
- Gender workshops @APM are not part of this fund
- No submission at last call
- Example: female researcher meeting at WCCM 2014

Gender Incentives 2: Announc. of Call 17/1

- Templates for proposals: www.sppexa.de → internal → templates
- Deadline: May 15, 2017
- Submission via mail to Benjamin Uekermann

SPPEXA PR Material

- Stickers, usb sticks, lanyards, cups, ...
- ... and more money to spend
- Flyer and poster on www.sppexa.de → Outreach Material
- Please use the material for your workshops and also if you represent SPPEXA at conferences (e.g. through a booth)
- Contact us if you need material

- ... but fund can also be used for other PR measures (e.g. publication costs for high-end journals)

PR: inSiDE

- Present your project (2-4 pages)
- Visibility all over Germany
- Every half year one project
- Submission/planing through Benjamin Uekermann
- 2013: GROMEX, CATWALK
- 2014: ExaFSA, ExaStencils
- 2015: FFMK, ESSEX
- 2016: Terra-Neo, EXASTEEL
- 2017: EXAHD, ???

Doctoral Retreat 2017

- IO / data management
- Sept 4-8 in Dresden
- More information will follow (please save the date)
- Each doctoral candidate should participate at least once (better more), PostDocs are also welcome
- Also doctoral candidates associated to SPPEXA are welcome
- There is money to invite doctoral candidates from F and J

SPPEXA Best Student Thesis Award 2016

... goes to

Christie Louis Alappat

for the master thesis

*Implementation and Performance Engineering
of the Kaczmarz Method for Parallel Systems*

Advisor: Gerhard Wellein (ESSEX)

SPPEXA Best PhD Thesis Award 2016

... goes to

Benjamin Uekermann

for the thesis

*Partitioned Fluid-Structure Interaction
on Massively Parallel Systems*

Advisor: Miriam Mehl, Hans-Joachim Bungartz (ExaFSA)

Group Photo

... please gather right now in front of the MI building

